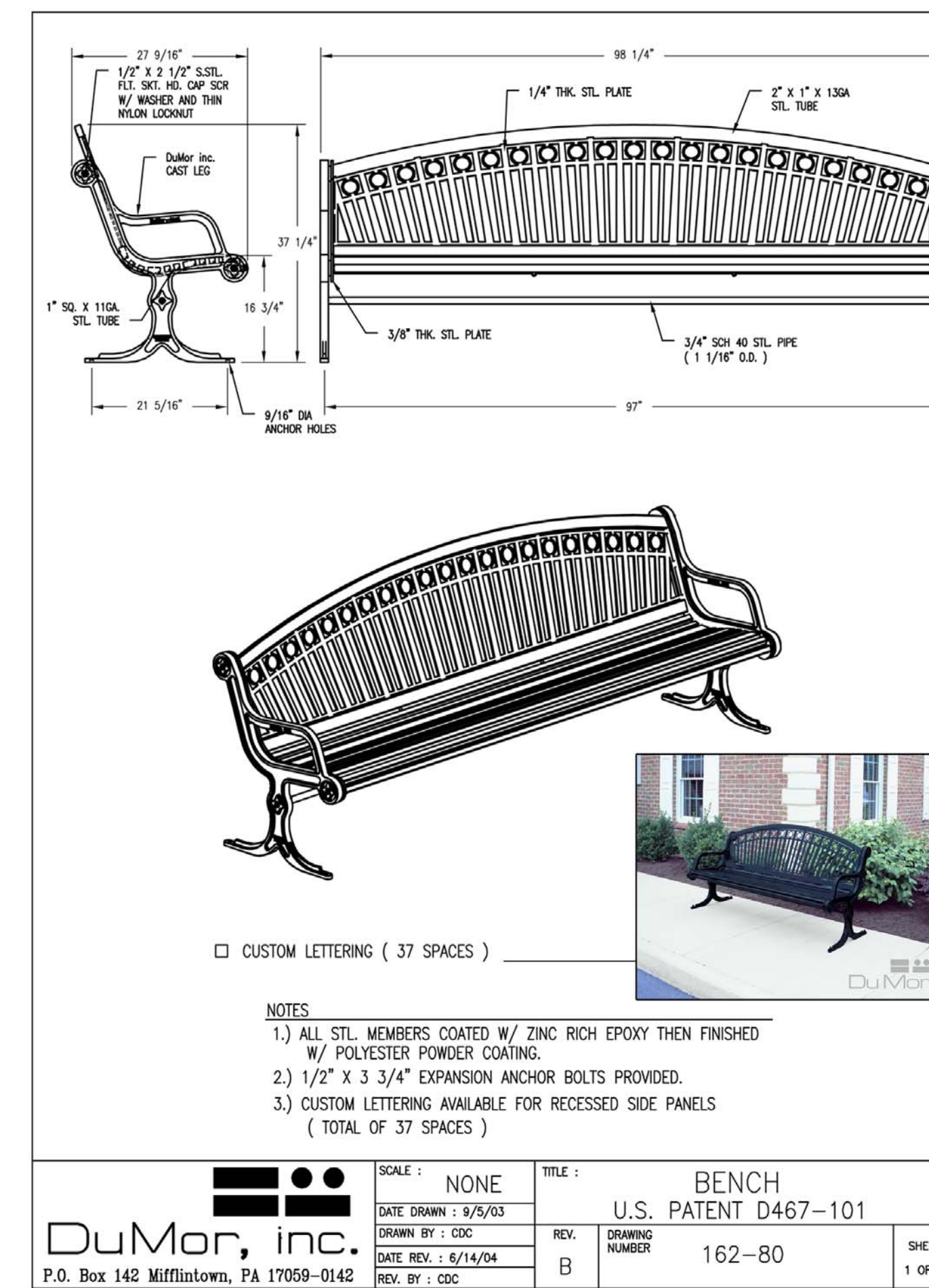
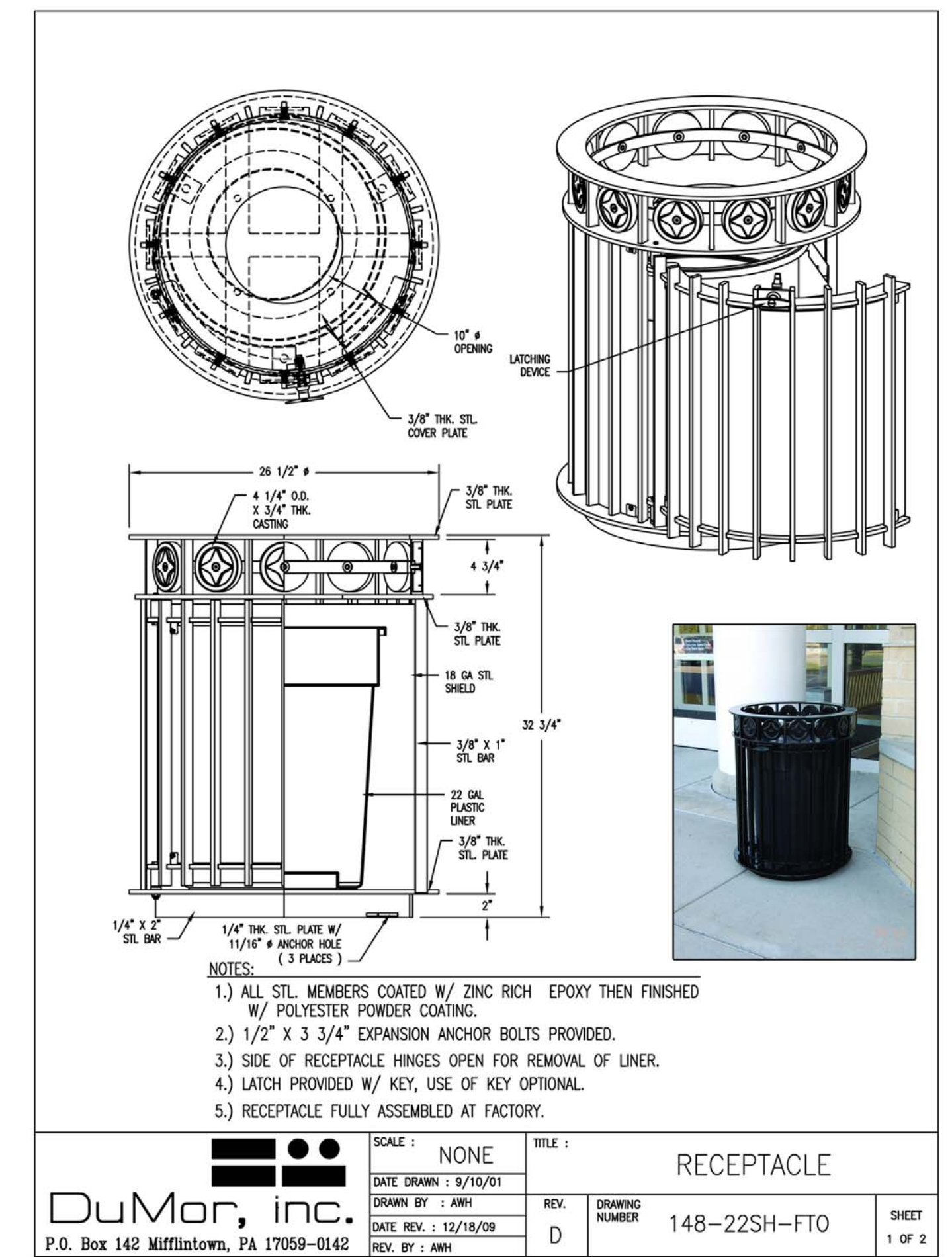


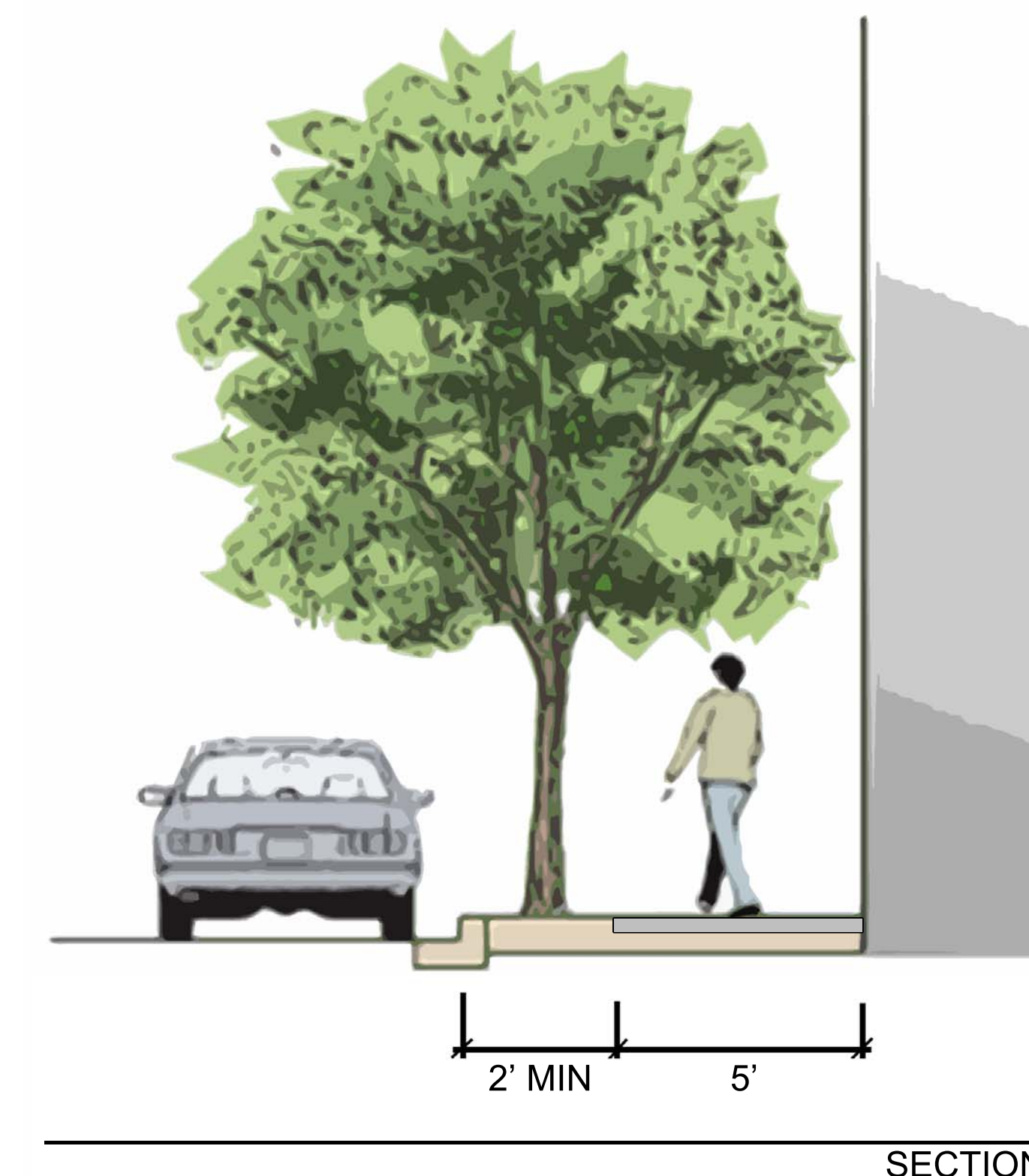
LEGEND
 — PROPOSED SIDEWALK
 M MAILBOX



 DuMor, inc. P.O. Box 142 Mifflintown, PA 17059-0142	SCALE: NONE	TITLE: BENCH	SHEET 1 OF 2
	DATE DRAWN: 9/5/03	U.S. PATENT D467-101	
	DATE REV: 6/14/04	DRAWING NUMBER 162-80	
	REV. BY: CDC	REV. NUMBER B	



 DuMor, inc. P.O. Box 142 Mifflintown, PA 17059-0142	SCALE: NONE	TITLE: RECEPTACLE	SHEET 1 OF 2
	DATE DRAWN: 9/10/01	DRAWING NUMBER 148-22SH-FTO	
	DATE REV: 12/16/09	REV. D	
	REV. BY: AMH	REV. NUMBER	



SECTION

THIS PLAN DEPICTS THE CONCEPTUAL LANDSCAPE IMPROVEMENTS FOR ILLUSTRATIVE PURPOSES ONLY. FINAL DESIGN SOLUTIONS ARE SUBJECT TO CHANGES.

THIS PLAN IS NOT COMPLETE AND IS NOT INTENDED FOR BIDDING.

NOVEMBER 2021

VINTAGE ROYALE SIDEWALK HARRIS COUNTY MUD 468



11803 GRANT RD, STE. 208
 CYPRESS, TX 77429
 TEL: 281.257.3375
 FAX: 281.376.4833
 www.murr-inc.com